

AN3826NK

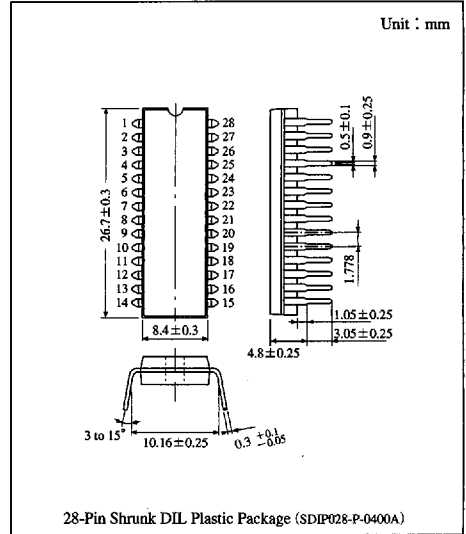
Capstan Motor Driver IC for VCR

Overview

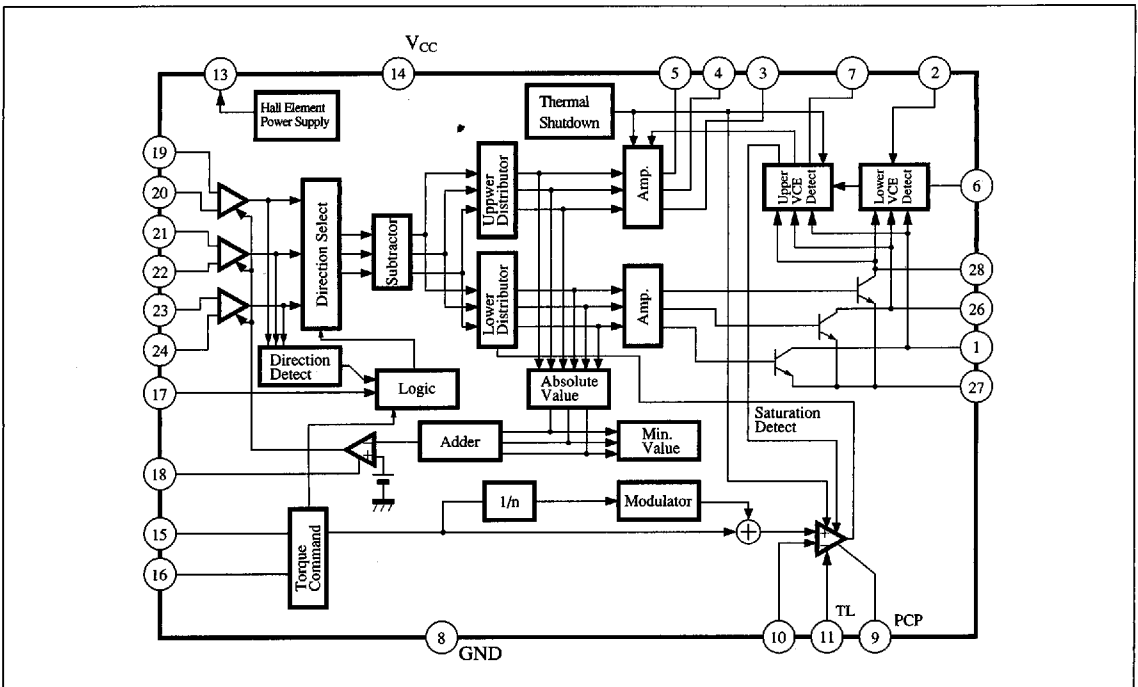
The AN3826NK is an IC designed as VCR capstan Hall motor drive. It is sealed in shrunk type dual-in-line package.

Features

- Operating supply voltage range : $V_{CC}=4.5$ to $5.5V$
- 3-phase full-wave 180° power-on, overlap drive.
- Max. motor voltage : $V_M=20V$.
- Max. output current $I_{OMAX.}=1A$
- Built-in torque ripple cancellation circuit.
- Built-in Hall amplifier and AGC circuit.



Block Diagram



6932852 0014553 232

Panasonic